

DETAILS ADDED FOLLOWING RECEIPT OF SETTING OUT INFORMATION FROM MACAI & PURCELL UK

THIS DRAWING HAS BEEN PRODUCED IN ACCORDANCE WITH A SITE SURVEY TAKEN ON 18 MAY 2021 ANY VARIATIONS TO THE AREA MUST BE NOTIFIED IN WRITING. FAILURE TO DO SO MAY RESULT IN COST AND PROGRAM IMPACTS.

TOLERANCE
MANUFACTURE TOLERANCE: ±3mm INSTALLATION TOLERANCE: ±6mm

CON REGULATIONS
UNLESS NOTED OTHERWISE, PAD (THE DESIGNER) HAS NOT IDENTIFIED ANY SIGNIFICANT RISKS ASSOCIATED WITH THE DESIGN INTENT SHOWN ON THIS DRAWING WHICH COULD NOT BE MANAGED SAFELY BY A COMPONENT CONTRACTOR.

WHERE PAD HAS IDENTIFIED RISKS BELOW, REFER TO THE PROJECT RISK ASSESSMENT.

ELEMENT	IDENTIFIED HAZARDS
MANUAL HANDLING	RISKS MUST BE SUITABLE EXPERIENCED IN HANDLING OF SUCH ITEMS AND EMPLOY OF LIFTING METHODS APPROPRIATE TO THE TASK, REFER TO THE METHOD STATEMENT & RISK ASSESSMENT.
WORKING AT HEIGHT	ACCESS AND WORKING PLATFORMS MUST BE TO THE STANDARDS REQUIRED BY THE CURRENT LEGISLATION. STATEMENT MUST ALWAYS BE MADE TO THE METHOD STATEMENT AND APPROPRIATE ASSESSMENTS.

WHERE THE ABOVE BOX IS BLANK - NO UNUSUAL RISKS HAVE BEEN IDENTIFIED.

THIS DRAWING IS TO BE READ IN CONJUNCTION WITH ALL OTHER RELEVANT DRAWINGS AND DISCREPANCIES NOTIFIED TO THE ORIGINATOR.

TASK COMPONENT	SIZE	WEIGHT
CHARACTERISTICS	2.5x3.5m LONG	155 kg
	DESCRIPTION	
	GLAZING CHANNEL Ø 2.635	

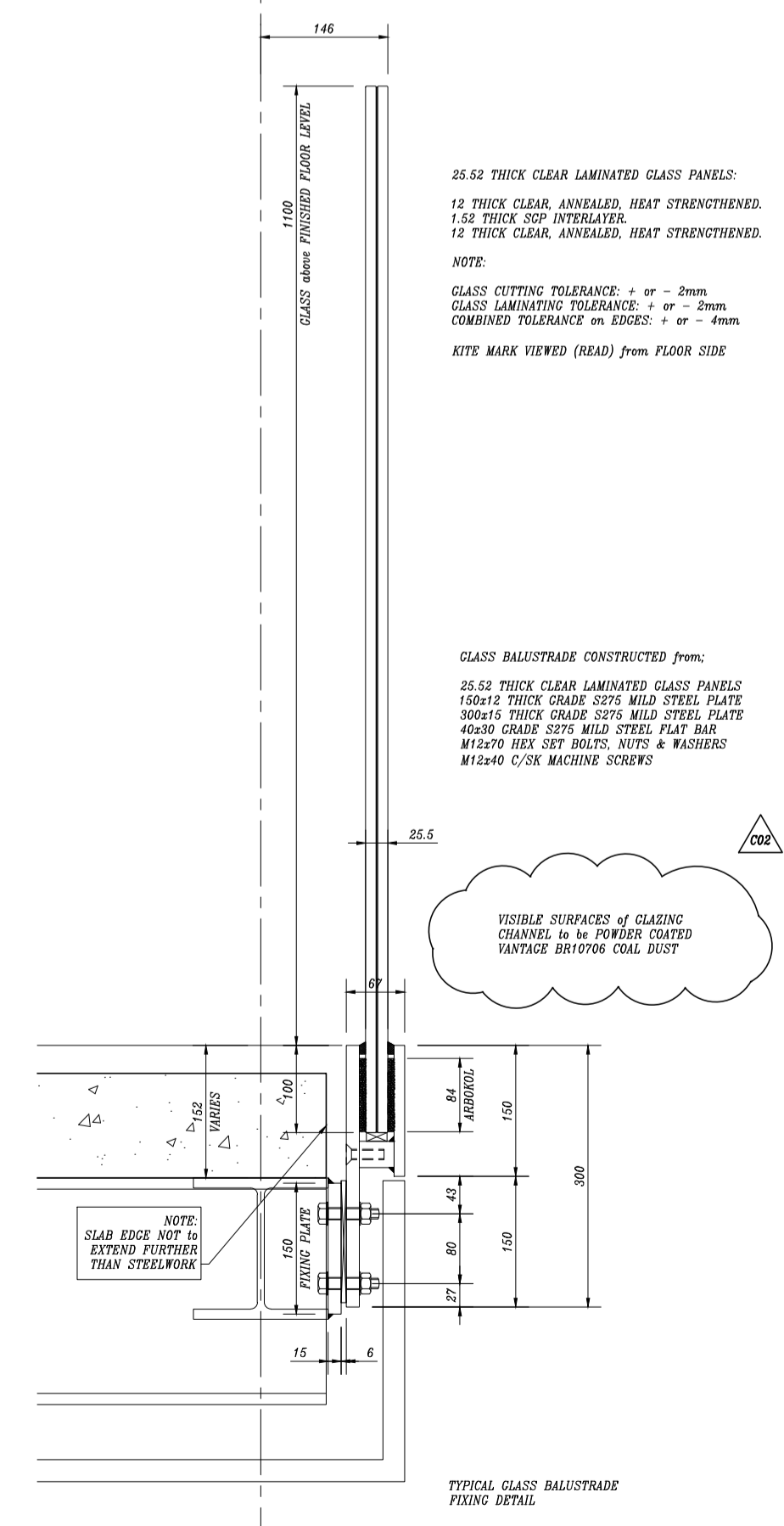
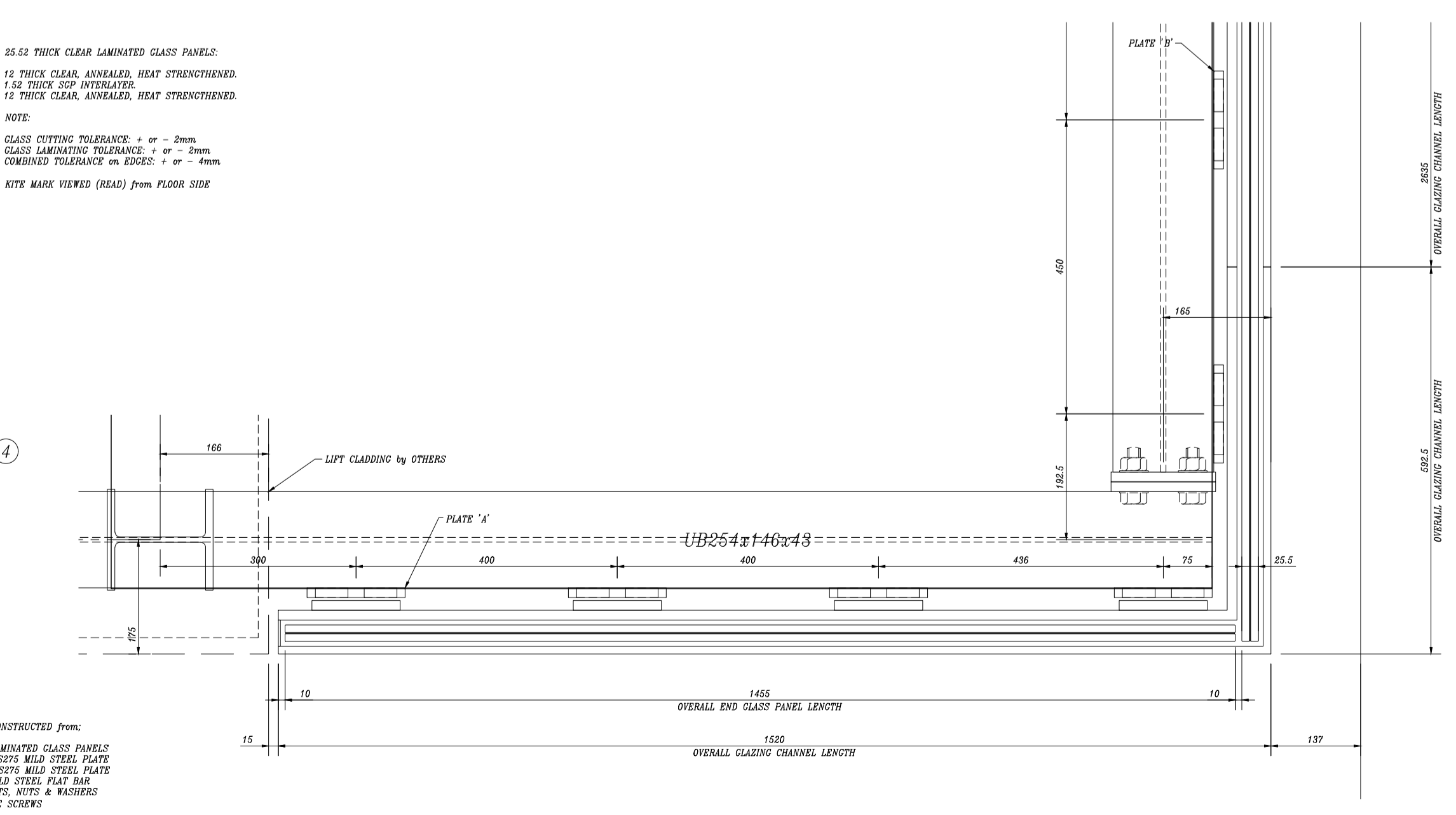
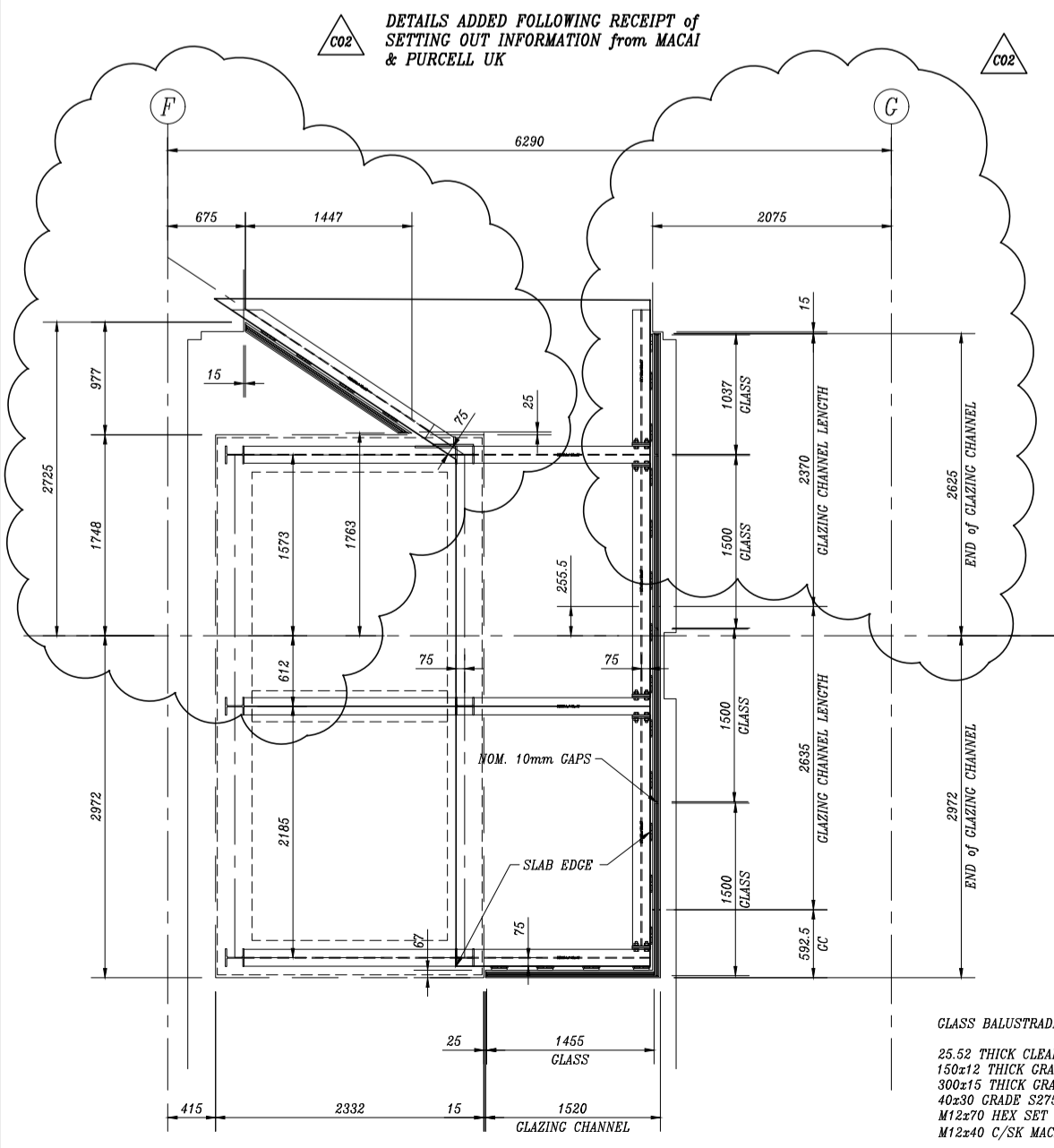
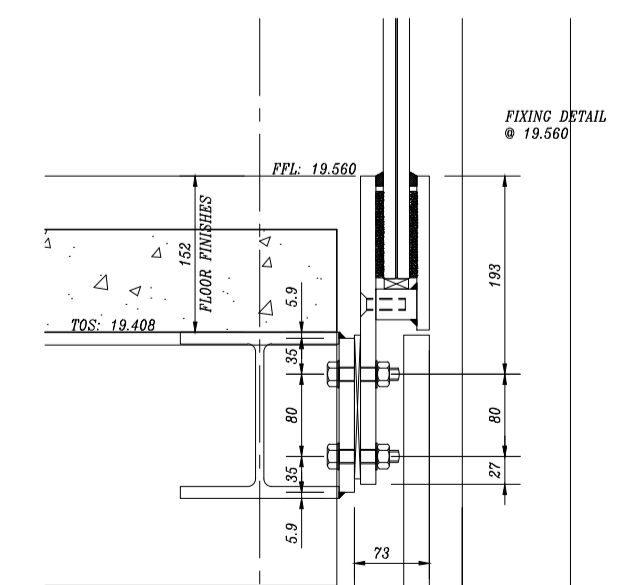
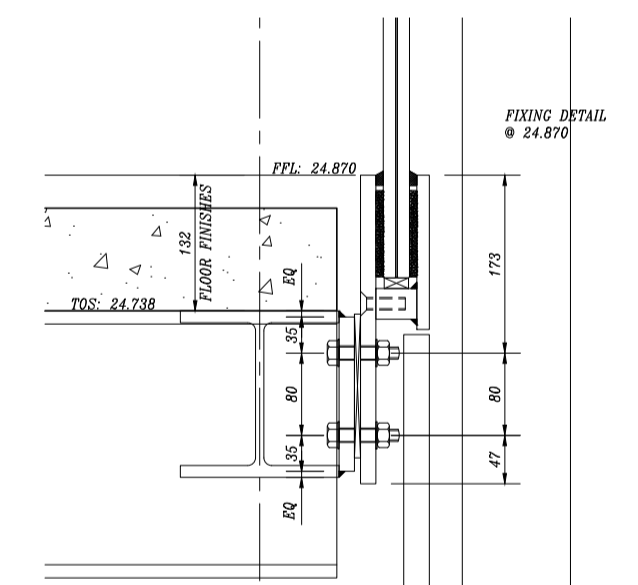
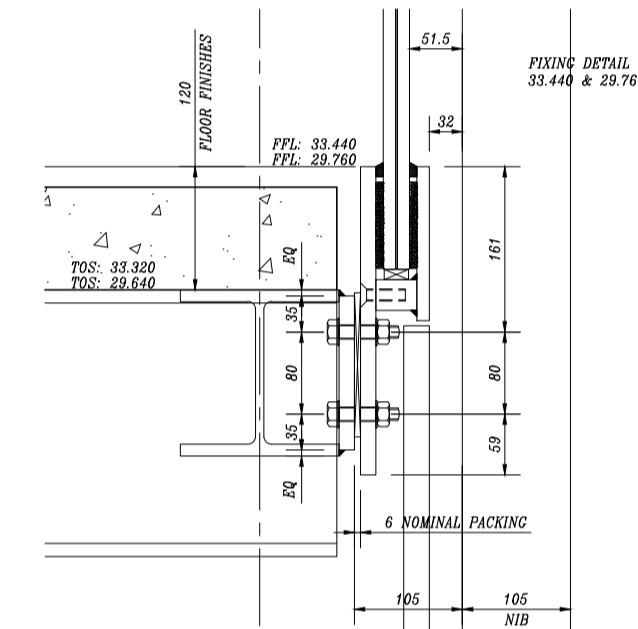
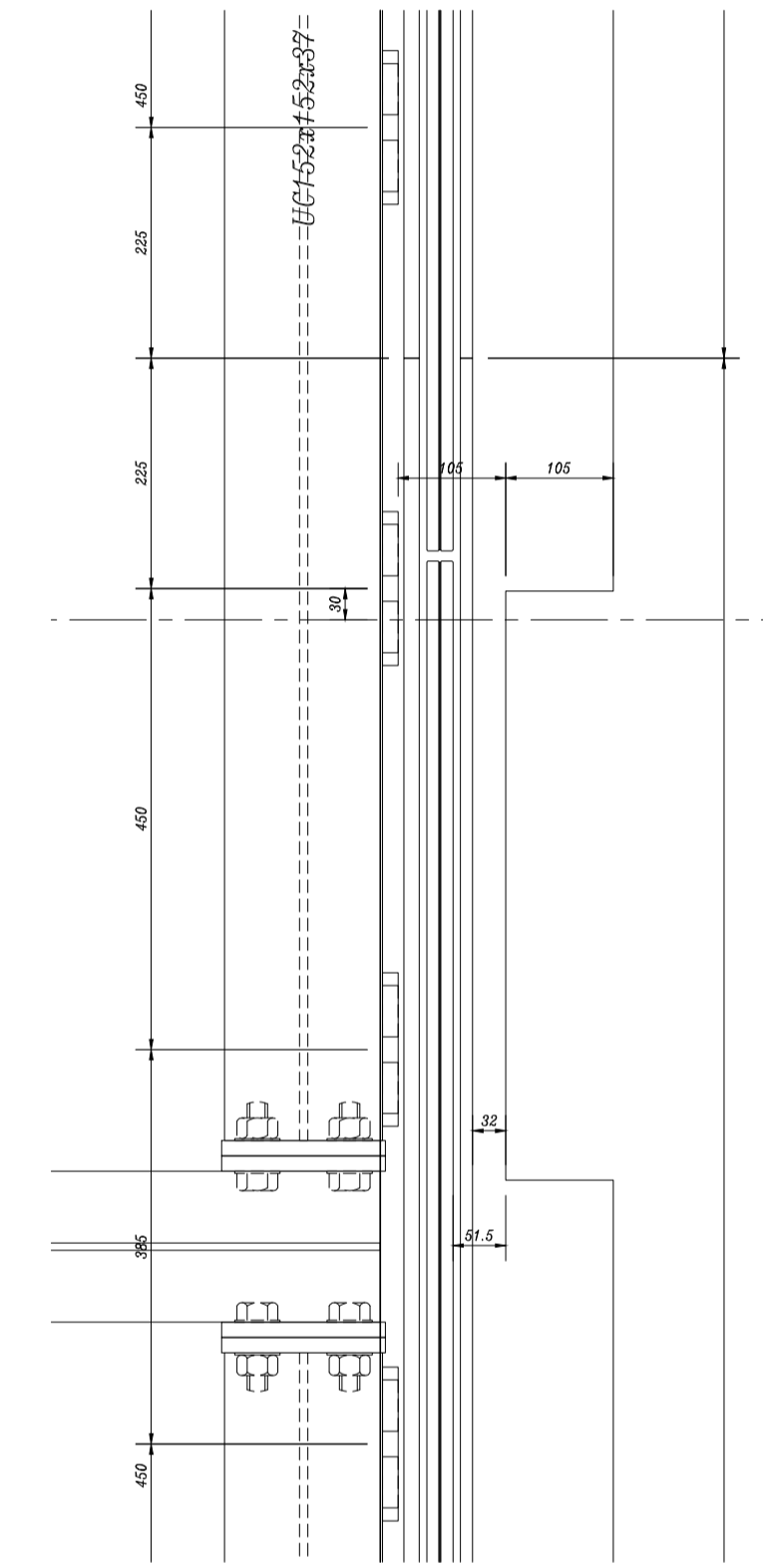
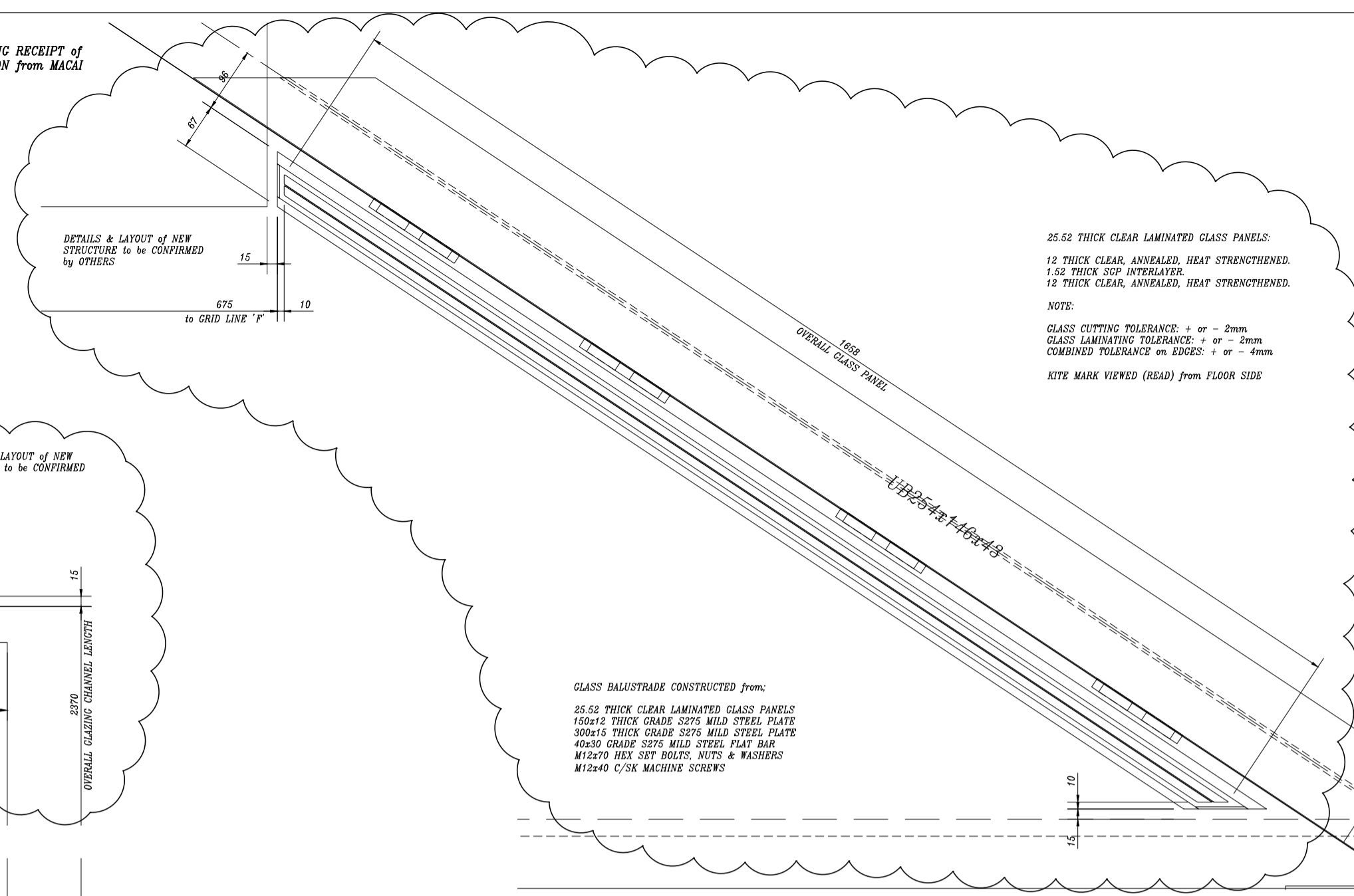
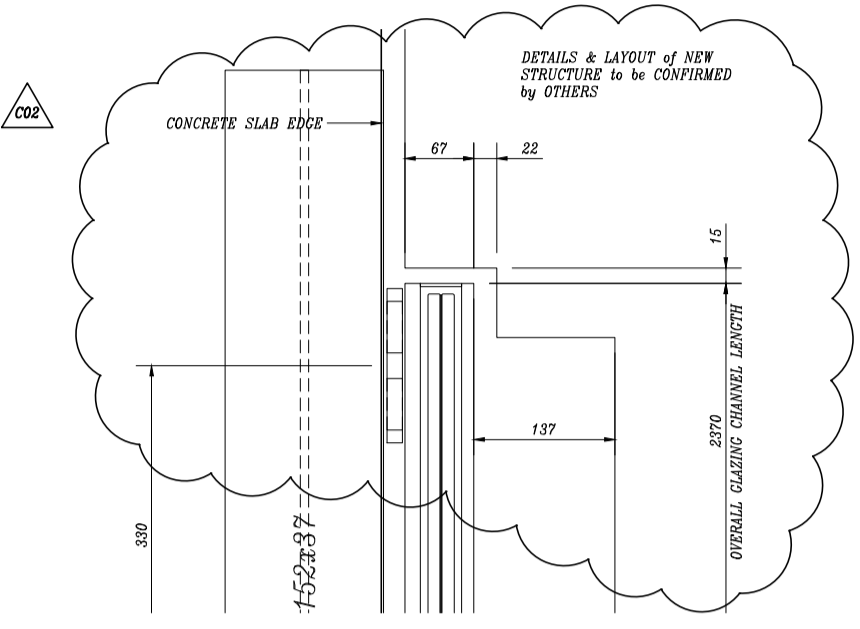
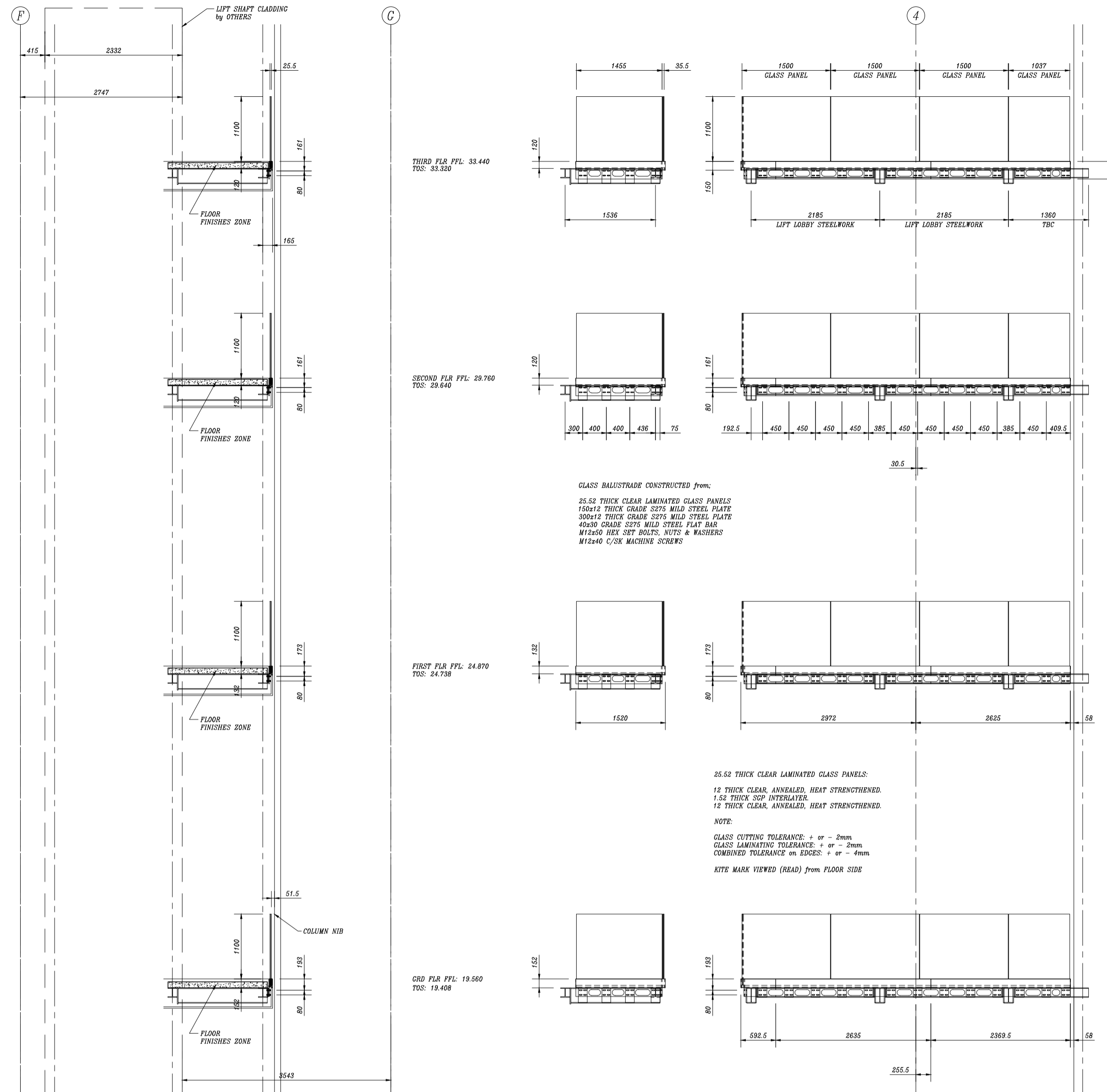
TORQUE SETTINGS	TYPE	SETTING

REVISIONS

NO.	DATE	DESCRIPTION	STATUS
POO	24.07.20	FIRST ISSUE FOR APPROVAL	Status [C]
POO	28.11.20	LIFT CLADDING DETAILS OMITTED DRAWING UPDATE ISSUED FOR A STATUS APPROVAL	Status [B]
COI	24.05.21	DRAWING UPDATED FOLLOWING SURVEY 18 MAY 2021 ISSUED FOR CONSTRUCTION & A STATUS APPROVAL	Status [A]

STATUS
FOR CONSTRUCTION
PAD CONTRACTS LTD.

CO2 15.06.21 SUB LAYOUT PLAN ASKED FOR CO-ORDINATION AND/OR BALUSTRADE PANELS ISSUED FOR INFORMATION UPDATE



CE
BS EN 1090-1: 2009 + A1:2011

IF IN DOUBT ASK / DO NOT SCALE

WELD DETAILS
ALL WELDS to be 60°PW unless NOTED OTHERWISE

EXECUTION CLASS
EXEC [] EXEC 2 EXEC 3
to BS EN 1090-1:2009 + A1:2011 to BS EN 1090-2:2009 + A1:2011 to BS EN 1090-3:2009 + A1:2011

WELLS ARE TO BE 60°PW UNLESS NOTED OTHERWISE

FINISH
1. VANTAGE BR10706 COAL DUST
2. CLEAR

SME LIFT LOBBY LIFT CLADDING & GLASS BALUSTRADE DETAILS

LEND LEASE

CAMDEN TOWN HALL

ARCHITECTURAL
a
SPECIALISTS

PAD CONTRACTS LIMITED
120 BROOKER ROAD
WALTHAM ABBEY,
ESSEX EN9 1HL

1:01992 767676 F:01992 714226 www.padcontracts.co.uk

NO.	REV	DATE	BY
001	1	24.07.20	BFD
002	1	24.07.20	DIR

CTH-PAD-LM-DR-34-X-025